

# MINIATURE 2 - WAY SOLENOID VALVES

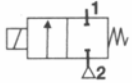
(NORMALLY CLOSED & NORMALLY OPEN)  
BRASS, S. STEEL, ALUMINIUM BODY,  
1/8", 1/4", 3/8" BSP / NPT CONNECTION



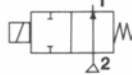
◀FLOCON▶ 2-way midget type solenoid valves with a compact design for automatic control of Gas Air, Water & Steam and other corrosive media. These direct operated valves work from 0 pressure to their maximum rated pressure.

### SPECIFICATIONS :

Normally Closed : Normally Closed : Inlet & Outlet get connected when Solenoid is energised.



Normally Open : Normally Open : Inlet & Outlet get connected when Solenoid is De-energised.



FDC Series Valves are supplied only in normally closed configuration with flow control.

### VALVE :

- 1) Forged Brass, S, Steel 304 & 316 & Aluminium Body
- 2) Resilient Or Teflon Seating for tight shut - off
- 3) Pipe Connection - 1/8", 1/4" & 3/8 BSP/NPT connection

### SOLENOID :

- 1) General purpose solenoid enclosure : IP - 20 & IP - 40
- 2) Weather proof IP55
- 3) Water tight, IP66, IP67 & flame proof as per IS-2148 of 1981 for group I, II A & IIB
- 4) Continuous duty epoxy moulded coils
- 5) Class F & H Insulation
- 6) All Solenoid parts in contact with fluid are made of 300 & 400 series S. Steel

### COIL VOLTAGES :

24, 48, 110, 230, 440 V AC, 50 Hz  
12, 24, 48, 110, 230 V DC

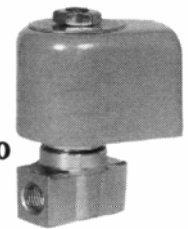
**Installation :** Mountable in any position.

### Features :

Direct operated  
Packless  
Tight Shutoff  
Can be mounted direct on pipe.



FDC 200



FDM 200

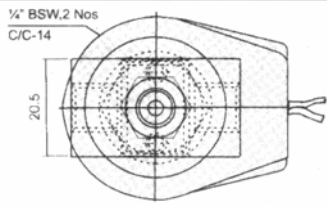
VALVE SERIES	PIPE SIZE (INCH)	OFFICE SIZE (MM)	MAXIMUM OPERATING PRESSURE (KG/CM <sup>2</sup> )						SAFE BODY WORKING PRESSURE (Kg/cm <sup>2</sup> )	MAXIMUM AC FLUID TEMP. °C.	Cv Flow Factor	Watt Rating		VA-Holding	VA-Inrush
			AIR GAS		WATER		LIGHT HYDRAULIC OIL					AC	DC		
			AC	DC	AC	DC	AC	DC							
FDM 201	1/8	1.2	70	70	70	70	70	70	105	100	0.09	17	18	23	70
FDM 202	1/4	1.5	50	50	50	50	50	50	75	100	0.06	17	18	23	70
		2	25	25	25	25	25	25	35	100	0.15	17	18	23	70
FDM 203	3/8	3	10	10	10	10	10	10	35	100	0.21	17	18	23	70
FDC 202	1/4	2.7	10	10	10	10	10	10	35	100	0.18	17	18	23	70

**Valves are made from quality materials and are rigorously tested for leakage and performance. Each valve is subjected to twice the rated voltage plus 1,000 volts, at 50c/s, for 60 seconds for insulation test.**

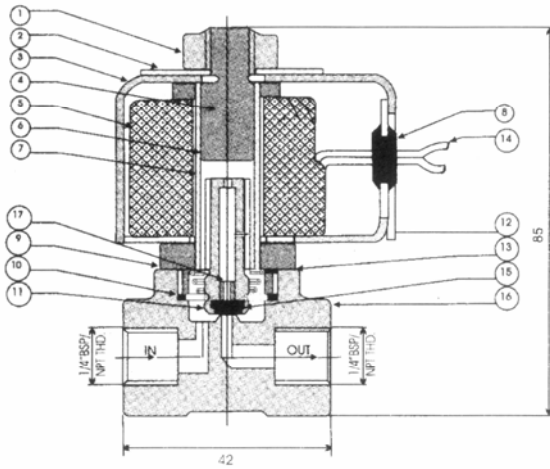
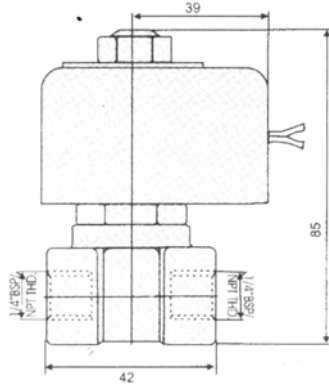
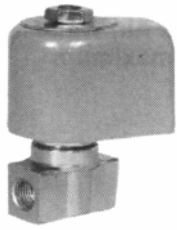


**PRECISION  
INSTRUMENT**

GO - 124- A-Z INDUSTRIAL ESTATE, G. K. MARG, MUMBAI - 400 013. TEL. : 2492 6384 / 2492 4333 FAX : 2497 4299  
E-mail : flocon@bom3.vsnl.net.in Website : www.floconvalves.com

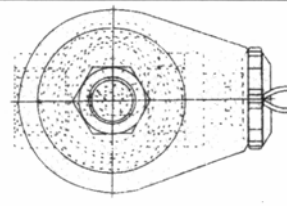


**FDM 200**

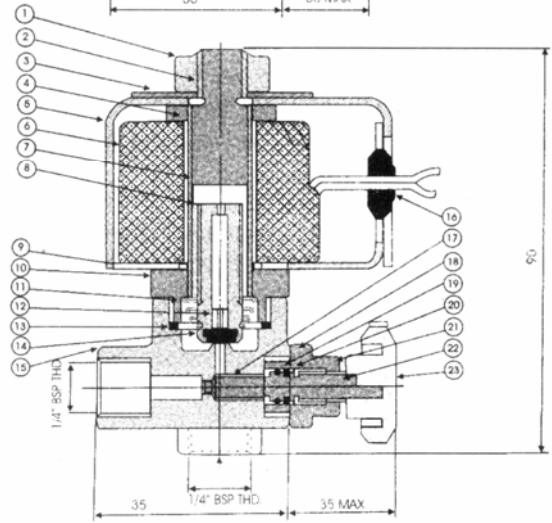
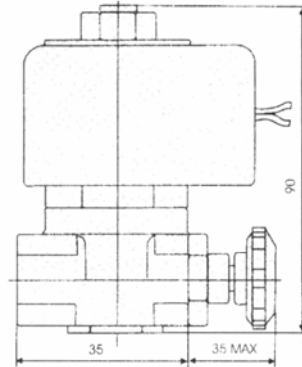
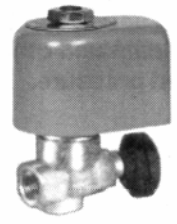


**FDM - 200 (ASSLY SECT & PARTS LIST)**

SR. NO.	NAME OF PART	MATERIAL	PART NO.	QTY.
1	TOP NUT	BRASS	FDM - 2001	1
2	NAME PLATE	ALUMINIUM	FDM - 2002	1
3	COIL HOUSING	C.R.C.A	FDM - 2003	1
4	STOPPER	S.S. - 430	FDM - 2004	1
5	SOLENOID COIL	ENML COPPER	FDM - 2005	1
6	SHADING COIL	COPPER	FDM - 2006	1
7	TUBE	S.S. 304	FDM - 2007	1
8	GROMMET	NEOPRENE	FDM - 2008	1
9	TUBE NUT	BRASS	FDM - 2009	1
10	GASKET	NYLON / TEFLON	FDM - 2010	1
11	PLUNGER	S.S. - 430	FDM - 2011	1
12	'L' BRACKET	C.R.C.A	FDM - 2012	1
13	PLUNGER SPRING	S. S. - 304	FDM - 2013	1
14	LEAD WIRE	P.V.C. AUTO CABLE	FDM - 2014	1
15	PLUNGER SEAT	NEOP/VITON/TEFLON	FDM - 2015	1
16	VALVE BODY	BRASS	FDM - 2016	1
17	PLUNGER SLEEVE	BRASS	FDM - 2017	1



**FDC 200**



**FDC - 200 (ASSLY SECT & PARTS LIST)**

SR. NO.	NAME OF PART	MATERIAL	PART NO.	QTY.
1	TOP NUT	BRASS	FDC - 2001	1
2	STOPPER	S.S. 304	FDC - 2002	1
3	NAME PLATE	ALUMINIUM	FDC - 2003	1
4	TUBE	S.S. 304 / 316	FDC - 2004	1
5	HOUSING	C.R.C.A.	FDC - 2005	1
6	SOLENOID COIL	ENML COPPER WIRE	FDC - 2006	1
7	SHADING COIL	COPPER	FDC - 2007	1
8	PLUNGER	S.S. 430	FDC - 2008	1
9	'L' BRACKET	C.R.C.A.	FDC - 2009	1
10	TUBE NUT	S.S. 304/316	FDC - 2010	1
11	PLUNGER SPRING	S.S. 304/316	FDC - 2011	1
12	PLUNGER SLEEVE	BRASS	FDC - 2012	1
13	GASKET	TEFLON	FDC - 2013	1
14	PLUNGER SEAT	VITON	FDC - 2014	1
15	VALVE BODY	FORGED BRASS	FDC - 2015	1
16	GROMMET	NEOPRENE	FDC - 2016	1
17	RIDER RING	TEFLON	FDC - 2017	1
18	SEAL RING	TEFLON	FDC - 2018	1
19	'O' RING	VITON	FDC - 2019	1
20	GUIDE RING	TEFLOW	FDC - 2020	1
21	CONTROL NUT	BRASS	FDC - 2021	1
22	CONTROL SCREW	BRASS	FDC - 2022	1
23	KNOB	ACETAL	FDC - 2023	1

MANUFACTURERS :

**PRECISION  
INSTRUMENT  
CO.**



Where the Quality goes in before the Name comes on.

WORKS :

124, A-Z INDUSTRIAL ESTATE, G. K. MARG,  
LOWER PAREL, MUMBAI - 400 013.  
PHONE : 2492 6384, 2492 4333 • FAX : 022-24974299.