

2 Way Solenoid Valves

High Pressure Service

for Air, Gas, Water and Light Hydraulic Oil.

FLOCON®

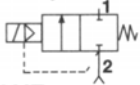
**SERIES
FP 200 HP**

FLOCON® 2-Way solenoid valves for high pressure service are very compact and dependable for a wide range of high operating pressures. They are pilot operated and instant shut off or opening is achieved by a very versatile piston type design.

SPECIFICATIONS :

OPERATION :

Normally Closed : Valve open when energised ; closed when de-energised



VALVE :

- 1) Body material brass or stainless steel.
- 2) Teflon seating to withstand high pressure and impact.
- 3) Pipe connections suitable for 1/4" and 3/8" BSP/NPT
- 4) Operating pressures upto 50 kg/cm² for AC voltage
- 5) Orifice 5/16"
- 6) Cv-Flow factor 1.5
- 7) Solenoid pilot operated.

SOLENOID :

- 1) General purpose solenoid enclosure NEMA Type 1.
- 2) All solenoid parts in contact with fluid are made from 300 and 400 series stainless steel.
- 3) Continuous duty moulded coil.
- 4) Class B insulation.
- 5) Coil voltages : 24, 48, 110, 220, 440 V A-c.
24, 48, 110, 220, V D-C.
(Pressure will differ from AC Pressure by 15%)

Inrush VA 60.

Holding VA 24.

Watts 12.5

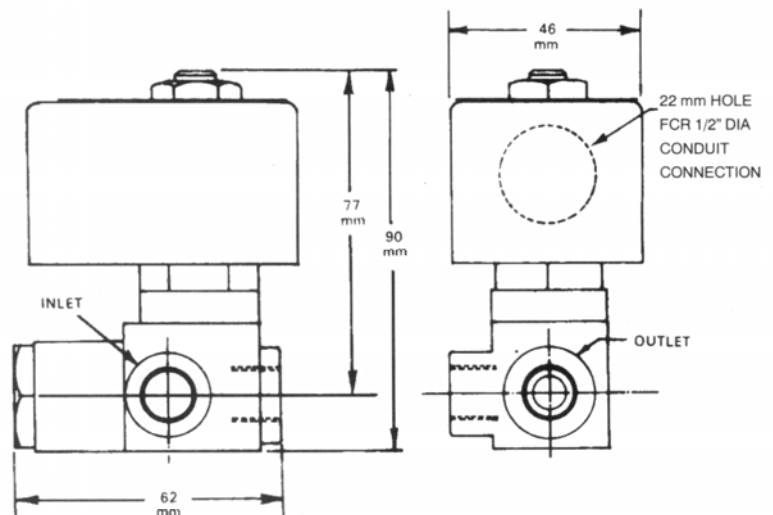
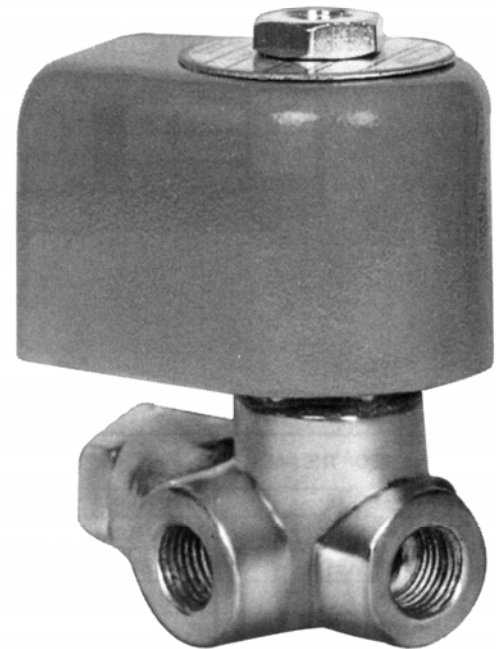
- 6) Ambient : 5°C to 50°C

FREQUENCY OF OPERATION

650 Cycles per minute

FEATURES :

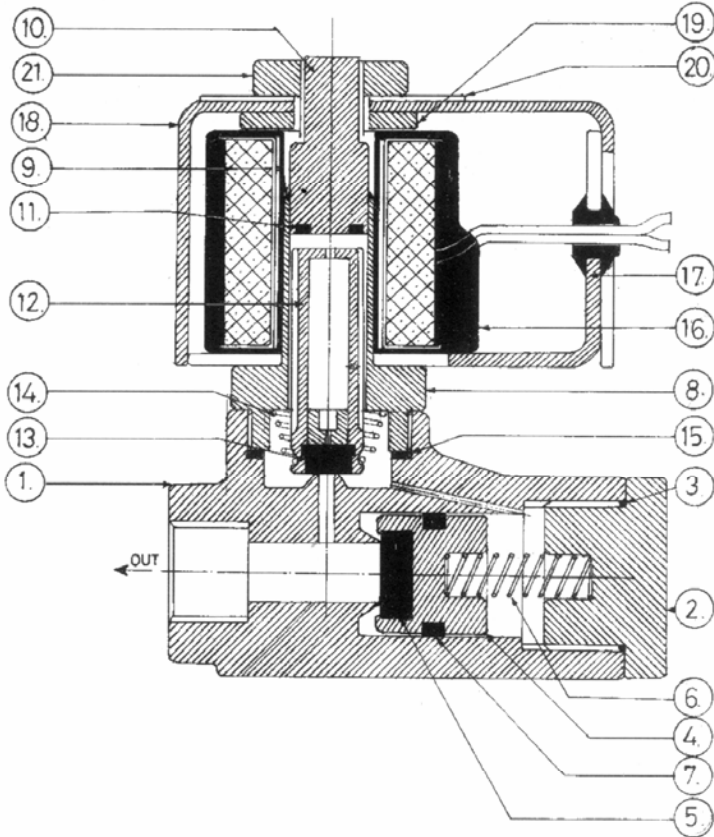
- Solenoid pilot operated.
- Packless,
- Complete tight shut off.
- Wide range of operating pressures.
- Brass or stainless steel body.
- Continuous duty moulded coil.
- Solenoid capable of being turned 360°
- Silent in operation.
- Compact size.
- Can be mounted in any position without affecting operation.
- Can be mounted directly on pipe.
- **FLOCON** valves are made from quality materials and rigorously tested for leakage and performance. Each valve is subjected to twice the rated voltage plus 1,000 volts at 50 c/s for 60 seconds for Insulation Test.
- **FLOCON** valves are guaranteed for free replacement against any manufacturing defect.



FLOCON **PRECISION**
INSTRUMENT
CO.

124- A-Z INDUSTRIAL ESTATE, G. K. MARG, MUMBAI - 400 013. TEL.: 2492 6384 / 2492 4333 FAX: 2497 4299

E-mail : flocon@bom3.vsnl.net.in Website : www.floconvalves.com



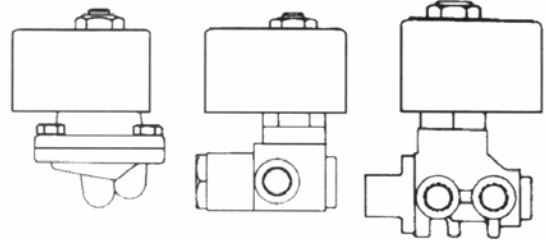
S.R. NO.	NAME OF THE PART	PART NO.	MATERIAL	QTY.
1.	VALVE BODY	FPH 20001	FORGED BRASS	1
2.	END PLUG	FPH 20002	BRASS	1
3.	E. P. GASKET	FPH 20003	NEOPRENE	1
4.	PISTON	FPH 20004	S. S. 304	1
5.	PISTON SEAT	FPH 20005	TEFLON	1
6.	PISTON SPRING	FPH 20006	SS 304	1
7.	PISTON RING	FPH 20007	TEFLON	1
8.	TUBE NUT	FPH 20008	BRASS	1
9.	TUBE	FPH 20009	S.S.304	1
10.	STOPPER	FPH 20010	SS 410	1
11.	SHADING RING	FPH 20011	COPPER	1
12.	PLUNGER	FPH 20012	SS 410	1
13.	PLUNGER SEAT	FPH 20013	NEOPRENE	1
14.	PLUNGER SPRING	FPH 20014	SS 304	1
15.	GASKET FOR '8'	FPH 20015	NEOPRENE	1
16.	COIL	FPH 20016	ENAMELLED C. W.	1
17.	BASE PLATE	FPH 20017	C. R. C.A.	1
18.	TOP COIL HOUSING	FPH 20018	C. R. C.A.	1
19.	SPRING WASHER	FPH 20019	SP STEEL	1
20.	NAME PLATE	FPH 20020	ALUMINIUM	1
21.	TOP NUT	FPH 20021	BRASS	1

ORDERING INFORMATION :

We must have Type, Pipe size
Operating Pressure, Operating
Voltage and Media handled.

IMPORTANT :

Use Strainers with the valves. Use
the valves only at pressure and
voltage specified on the name plate.



NOTE :

In line with their policy of continous product
development, the manufacturer reserves the right
to change specifications without notice.



ENGINEERS
INDIA LIMITED



AGENCY APPROVALS FOR FLOCON® SOLENOID VALVES PRECISION INSTRUMENT CO. - MUM-13.

ENGINEERS INDIA LIMITED	NEW DELHI	EIL	SOLENOID VALVES
ELECTRONICS REGIONAL TEST LABORATORY	MUMBAI	ERTL	DAMP HEAT TEST REPORT
ELECTRONICS REGIONAL TEST LABORATORY	MUMBAI	ERTL	VIBRATION TEST REPORT
INSTITUTE FOR DESIGN OF ELECTRICAL MEASURING INSTRUMENTS	MUMBAI	IDEMI	IP-65 TEST REPORT
INSTITUTE FOR DESIGN OF ELECTRICAL MEASURING INSTRUMENTS	MUMBAI	IDEMI	IP-65/67 TEST REPORT
CENTRAL MINING RESEARCH INSTITUTE	DHANBAD	CMRI	FLAME PROOF SOLENOID VALVE ENCLOSURE
CHIEF CONTROLLER OF EXPLOSIVES	NAGPUR	CCE	FLAMEPROOF SOLENOID VALVE ENCLOSURE
BUREAU OF INDIAN STANDARDS	MUMBAI	BIS	FLAMEPROOF SOLENOID VALVE ENCLOSURE
DIRECTORS GENERAL FACTORY ADVICE SERVICE & LABOUR INSTITUTE	MUMBAI	DGFASLI	FLAMEPROOF SOLENOID VALVE ENCLOSURE
GENELEC LIMITED	MUMBAI	GENELEC	IP-55

MANUFACTURERS :

**PRECISION
INSTRUMENT
CO.**

WORKS :

124, A-Z INDUSTRIAL ESTATE,
G. K. MARG, LOWER PAREL, MUMBAI - 400 013.
PHONE : 2492 6384, 2492 4333
FAX : 022-24974299.



Where the Quality goes in before the Name comes on.