

3 WAY SOLENOID VALVES.

for Air, Gas, Water and Light Hydraulic Oil.
1/8" & 1/4" BSP/NPT

FLOCON

SERIES
FD 300

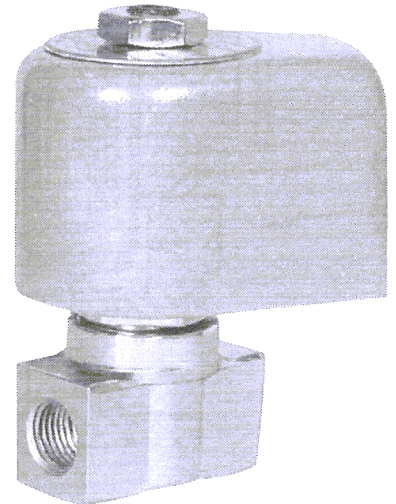
FLOCON 3 Way direct operated solenoid valves compact brass stainless steel and aluminium bodies with soft seating for tight shut off. No minimum operation pressure is required for operation. Its miniature size makes it ideal for application where space is a limitation. These 3 Way solenoid valves control the flow of air and gases by applying pressure to and venting pressure from cylinders and diaphragms. They are mainly used in applications such as pilot operators, single acting cylinders, air compressors and instrumentation.

FEATURES :

- Direct operated
- Miniature size
- Packless
- Silent in operation
- Solenoid capable of being turned 360°
- Can be mounted directly on pipe.

FLOCON valves are made from quality materials and rigorously tested for leakage and performance.

Each valve is subjected to twice the rated voltage plus 1,000 volts at 50 c/s for 60 seconds for Insulation Test.



SPECIFICATIONS :

OPERATION :

Normally closed-applies pressure when solenoid is energised, exhausts pressure when solenoid is de-energised.

VALVE :

- Brass, stainless steel or aluminium bodies
- Direct operated
- Resilient seating for tight shut off.
- Pipe connections suitable for 1/8" & 1/4" BSP/NPT
- Operating pressure from 0 to 10kg/cm²

SOLENOID :

- General purpose solenoid enclosure (NEMA 1) Weather proof solenoid enclosure (NEMA 2 & 3R)
- All solenoid parts in contact with fluid are made of series 300 and 400 stainless steel.;
- Continuous duty moulded coil
- Class F insulation

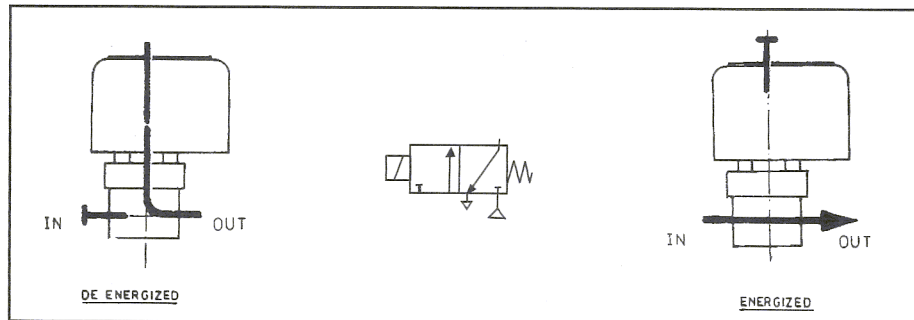
Coil Voltages :

24, 48, 110, 230, 440 V AC

24, 48, 110, 230 V DC

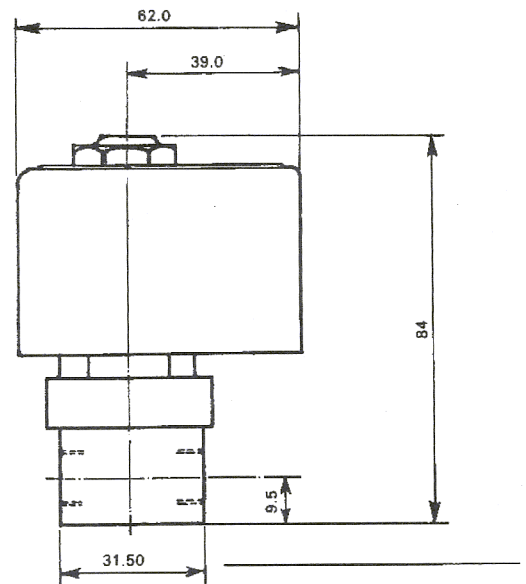
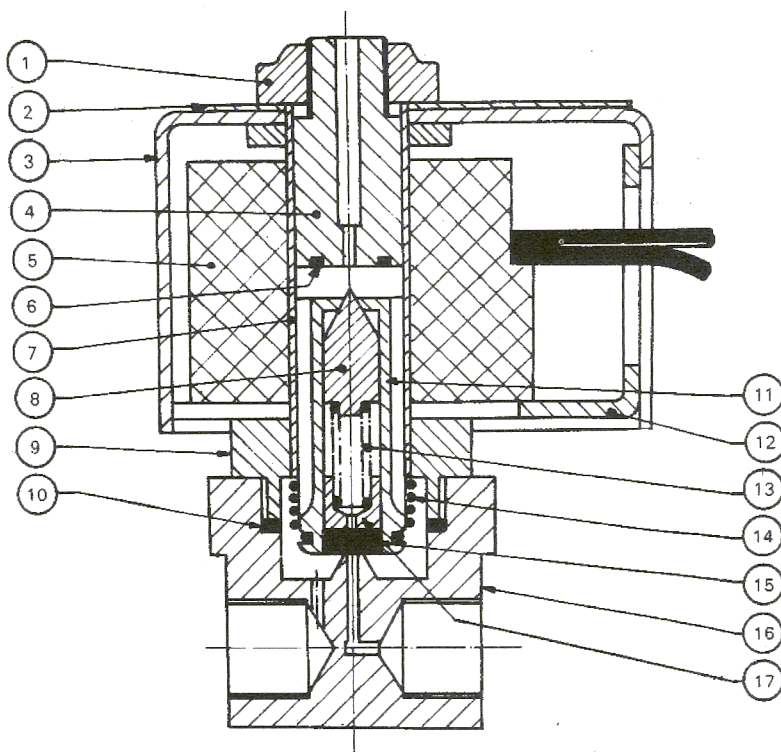
FREQUENCY OF OPERATION :

650 CYCLES PER MINUTE



Valve Series	Pipe Size BSP/NPT	Office Size (mm)	Maximum Operating Pressure Differential (in Kg/cm ²)						Safe Body Working Pressure (Kg/cm ²)	Maximum AC Fluid Temp. °C.	Cv Flow Factor	Watt Rating		Class of Insulation	VA-Holding	VA-Inrush
			Air Gas		Water		Light Hydraulic Oil					AC	DC			
			AC	DC	AC	DC	AC	DC								
FD 301	1/8"	1.2	10	8	10	8	10	8	40	80°	.06	13	12	F	23	70
		1.5	7	6	7	6	7	6	40	80	.09	13	12	F	23	70
FD 302	1/4"	1.7	5	4	5	4	5	4	40	80°	.15	13	12	F	23	70
		2.0	3	3	3	3	3	3	40	80°	.21	13	12	F	23	70

FLOCON **PRECISION**
INSTRUMENT
CO. 124- A-Z INDUSTRIAL ESTATE, G. K. MARG, MUMBAI - 400 013 TEL. : 2492 6384 / 2492 4333 FAX : 2497 4299
E-mail : flocon@bom3.vsnl.net.in Website : www.floconvalves.com



SR. NO.	NAME OF PART	PART NO.	MATERIAL	QTY.
1.	TOP NUT	FD - 3001	BRASS	1
2.	NAME PLATE	FD - 3002	ALUMINIUM	1
3.	COIL HOUSING	FD - 3003	C.R.C.A.	1
4.	STOPPER	FD - 3004	410 S/S	1
5.	COIL	FD - 3005	S. E. COPPER WIRE	1
6.	SHADING COIL	FD - 3006	COPPER	1
7.	TUBE	FD - 3007	304 S/S	1
8.	EXH. SEAT	FD - 3008	TEFLON	1
9.	TUBE NUT	FD - 3009	BRASS	1
10.	GASKET	FD - 3010	TEFLON	1
11.	PLUNGER	FD - 3011	410 S/S	1
12.	L BRACKET	FD - 3012	C.R.C.A.	1
13.	PLUNGER SPRING	FD - 3013	304 S/S	1
14.	SPRING (MAIN)	FD - 3014	304 S/S	1
15.	PLUNGER SEAT	FD - 3015	NEOPRENE	1
16.	BODY	FD - 3016	BRASS	1
17.	PLUNGER SLEEVE	FD - 3017	BRASS	1

IS 2148

AGENCY APPROVALS FOR FLOCON[®] SOLENOID VALVES PRECISION INSTRUMENT CO.-MUM-13

ENGINEERS INDIA LIMITED	NEW DELHI	EIL	SOLENOID VALVES
ELECTRONICS REGIONAL TEST LABORATORY	MUMBAI	ERTL	DAMP HEAT TEST REPORT
ELECTRONICS REGIONAL TEST LABORATORY	MUMBAI	ERTL	VIBRATION TEST REPORT
INSTITUTE FOR DESIGN OF ELECTRICAL MEASURING INSTRUMENTS	MUMBAI	IDEMI	IP-65 TEST REPORT
INSTITUTE FOR DESIGN OF ELECTRICAL MEASURING INSTRUMENTS	MUMBAI	IDEMI	IP-65/67 TEST REPORT
CENTRAL MINING RESEARCH INSTITUTE	DHANBAD	CMRI	FLAME PROOF SOLENOID VALVE ENCLOSURE
CHIEF CONTROLLER OF EXPLOSIVES	NAGPUR	CCE	FLAMEPROOF SOLENOID VALVE ENCLOSURE
BUREAU OF INDIAN STANDARDS	MUMBAI	BIS	FLAMEPROOF SOLENOID VALVE ENCLOSURE
DIRECTORS GENERAL FACTORY			
ADVICE SERVICE & LABOUR INSTITUTE	MUMBAI	DGFASLI	FLAMEPROOF SOLENOID VALVE ENCLOSURE
GENELEC LIMITED	MUMBAI	GENELEC	IP-55

ORDERING INFORMATION :

We must have Type, Pipe size
Operating Pressure, Operating
Voltage and Media handled.

MANUFACTURERS :

**PRECISION
INSTRUMENT
CO.**

WORKS :

124, A-Z INDUSTRIAL ESTATE,
G. K. MARG, LOWER PAREL, MUMBAI - 400 013.
PHONE : 2492 6384, 2492 4333
FAX : 022-24974299.

NOTE :

In line with their policy of continuous product development, the manufacturer reserves the right to change specifications without notice.



Where the Quality goes in before the Name comes on.