

3 - WAY SOLENOID VALVES

Miniature Size for Air, Gas, Water and
Light Hydraulic Oil

1/8", 1/4" & 3/8" BSP / NPT



SERIES
FDU - 300

◀FLOCON▶ latest 3 Way Valve design eliminates the orifice connection in the solenoid - all connections are now in the valve body providing in - line piping. This concept with orifice and pipe connections in the body permits coil replacement without opening pipe connections - now necessary on all other 3 Way valves. These valves are commonly used to apply pressure to and vent pressure from cylinders and diaphragms or for selection and diversion of pressure. They also used for automatic control of all gases and liquids non-corrosive to brass and stainless steel.

IMPORTANT - NO MINIMUM OPERATING PRESSURE REQUIRED.

SPECIFICATIONS :

Operation :

Three Types are available :

- Normally Closed - Applies pressure when Solenoid is energised; exhausts pressure when solenoid is de-energised.
- Normally Open - Applies pressure when solenoid is de-energised; exhausts pressure when solenoid is energised.
- Universal - For Normally closed or Normally open operation.

Selection or diversion of pressure can be applied at 1, 2 & 3 without change of springs or making other adjustments.

VALVE :

- Forged Brass / Aluminium / Stainless steel body.
- Resilient or teflon seating for tight shut-off.
- Pipe connection suitable for 1/8", 1/4" & 3/8" BSP / NPT / (3/8" available with adapters)

SOLENOID :

- General purpose solenoid enclosure (NEMA 1) Weather proof solenoid inclosure (NEMA 2 & 3R)
- Continuous duty moulded coil
- Class F insulation
- All solenoid parts in contact with the fluid are made of series 300 and 400 stainless steel.

COIL VOLTAGES : Standard.

24, 48, 110, 230, 440 V AC

24, 48, 110, 230 V DC

FREQUENCY OF OPERATION :

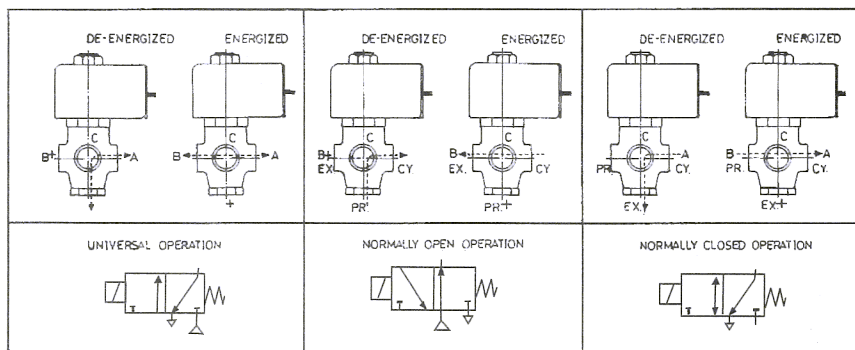
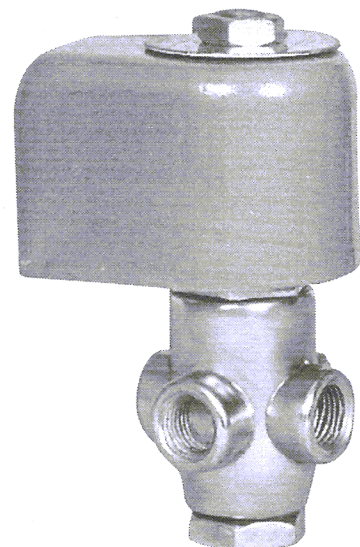
650 CYCLES PER MINUTE.

INSTALLATION :

Mountable in any position without affecting operation.

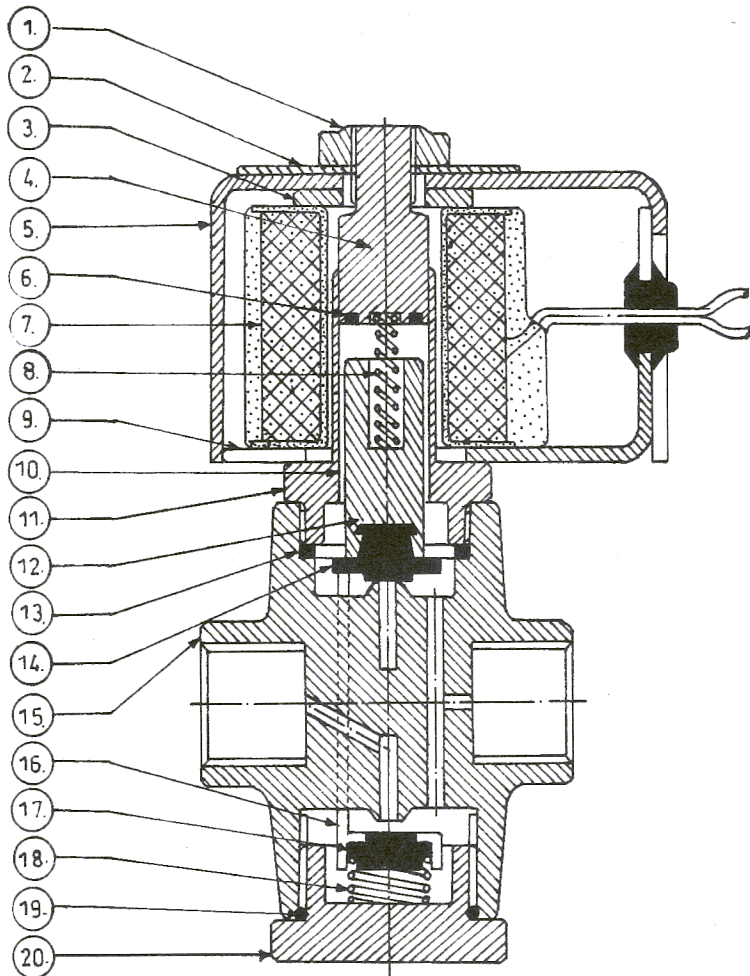
FEATURES :

- Direct operated
- Packless
- Complete tight shut off
- Compact size
- Silent in operation
- Solenoid capable of being turned 360°
- Can be mounted directly on pipe
- ◀FLOCON▶ valves are made from quality materials and are rigorously tested for leakage and performance. Each valve is subjected to twice the rated voltage plus 1,000 volts at 50C/S for seconds for insulation test

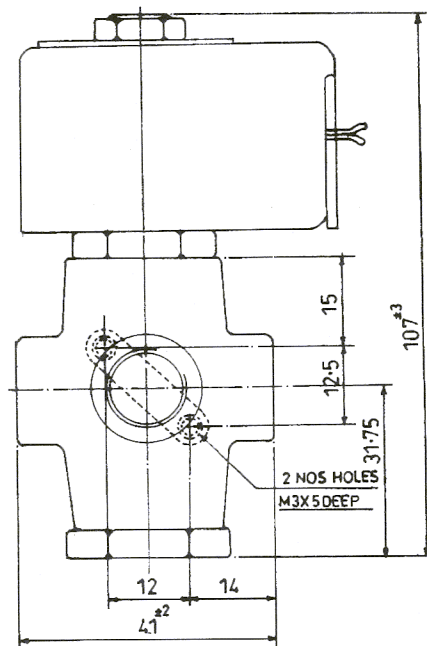
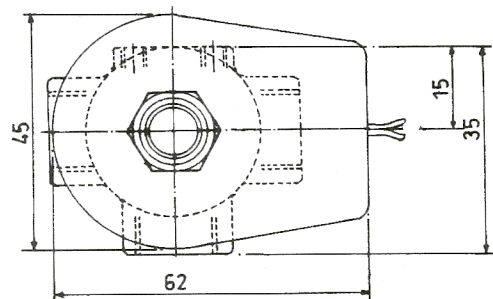


Valve Series	Pipe Size (Ins.)	Orifice Size (mm)	Maximum Operating Pressure (in Kg / cm ²)						Safe Body Working Pressure (Kg/cm ²)	Maximum AC Fluid Temp. °C.	Cv Flow Factor	Watt Rating		VA-Holding	VA-Inrush
			Normally Closed			Normally Open						AC	DC		
			Air	Gas	Water	Light Hydraulic Oil									
			AC	DC	AC	DC	AC	DC							
FDU 301	1/8"	1.2	20	15	20	15	15	10	35	100	.06	17	18	23	70
FDU 302	1/4"	1.5 7	10 7	7 5	10 7	7 5	10 7	7 5	35 35	100 100	.09 .15	17 17	18 18	23 23	70 70
FDU 303	3/8"	3	4	3	4	3	4	3	35	100	.21	17	18	23	70

For Higher Pressure consult factory.



SR. NO.	NAME OF PART	PART NO.	MATERIAL	QTY.
1.	TOP NUT	FDU 3001	BRASS	1
2.	NAME PLATE	FDU 3002	ALUMINIUM	1
3.	WASHER	FDU 3003	C.R.C.A.	1
4.	STOPPER	FDU 3004	410 S. STEEL	1
5.	COIL HOUSING	FDU 3005	C.R.C.A.	1
6.	SHADING COIL	FDU 3006	COPPER	1
7.	COIL	FDU 3007	ENAMEL COPPER WIRE	1
8.	PLUNGER SPRING	FDU 3008	STAINLESS STEEL	1
9.	L BRACKET	FDU 3009	C.R.C.A.	1
10.	TUBE	FDU 3010	304 STAINLESS STEEL	1
11.	TUBE NUT	FDU 3011	BRASS	1
12.	PLUNGER	FDU 3012	410 STAINLESS STEEL	1
13.	GASKET	FDU 3013	TEFLON	1
14.	PLUNGER SEAT	FDU 3014	NEOPRENE	1
15.	BODY	FDU 3015	FORGED BRASS/ STAINLESS STEEL	1
16.	TRIPOD	FDU 3016	DELRIN	1
17.	TRIPOD SEAT	FDU 3017	NEOPRENE	1
18.	SPRING FOR TRIPOD	FDU 3018	STAINLESS STEEL	1
19.	'O' RING	FDU 3019	NEOPRENE	1
20.	END NUT	FDU 3020	BRASS	1



ORDERING INFORMATION :

We must have Type, Pipe size
Operating Pressure, Operating
Voltage and Media handled.

MANUFACTURERS :

PRECISION
INSTRUMENT
CO.

WORKS :

124, A-Z INDUSTRIAL ESTATE,
G. K. MARG, LOWER PAREL, MUMBAI - 400 013.
PHONE : 2492 6384, 2492 4333
FAX : 022-2497 4299.

NOTE :

*In line with their policy of continous product
development, the manufacturer reserves the right
to change specifications without notice.*

FLOCON®

Where the Quality goes in before the Name comes on.