

3 Way Solenoid Valves

Quick Exhaust
Normally Closed and Normally Open Operation
1/4" and 3/8" BSP / NPT



◀FLOCON▶ 3 way quick exhaust valves are versatile. They are internally pilot operated type and incorporate an over size orifice for fast venting of cylinders and diaphragms. These 3 way valves control the flow of gases and liquids by applying pressure to and venting pressure from cylinders and diaphragms. They are used in applications such as pilot operators, single acting cylinders, aircompressors, air motors and instrumentation.

SPECIFICATIONS :

Operation :

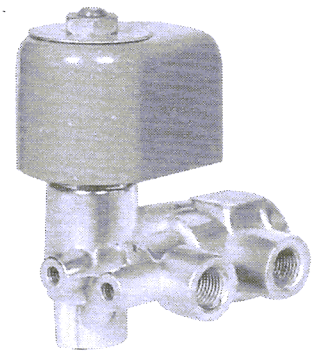
- (a) Normally closed - applies pressure when solenoid is energised;
- (b) Normally open - applies pressure when solenoid is de - energised; exhausts pressure when solenoid is energised.

VALVE :

- Forged Brass / Aluminium body
- Internal pilot operated
- Oversize exhaust orifice for fast venting
- Resilient or teflon seating for tight shut off
- Pipe connections suitable for 1/4" and 3/8" BSP/NPT.
- Operating pressure from 0.3 Kg/cm² to 15 kg/cm²

SOLENOID :

- General purpose solenoid enclosure (NEMA 1).
- Weather proof solenoid enclosure (NEMA 2 & 3R).
- All solenoid parts in contact with fluid are made of series 300 and 400 stainless steel.
- Continuous duty moulded coil
- Class B & F insulation
 Coil Voltages : Standard :
 24, 48, 110, 220, 440 V AC.
 24, 48, 110, 220 V DC.
 FREQUENCY OF OPERATION
 250 Cycles per minute.

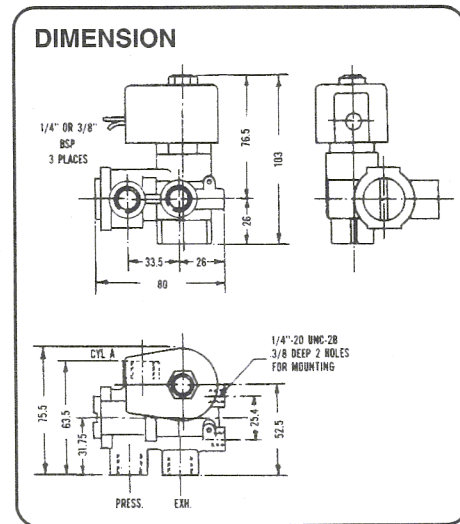


FEATURES :

- Packless
- Can be mounted in any position without affecting operation
- Silent in operation
- Compact size
- Can be mounted directly on pipe
- quick Exhaust

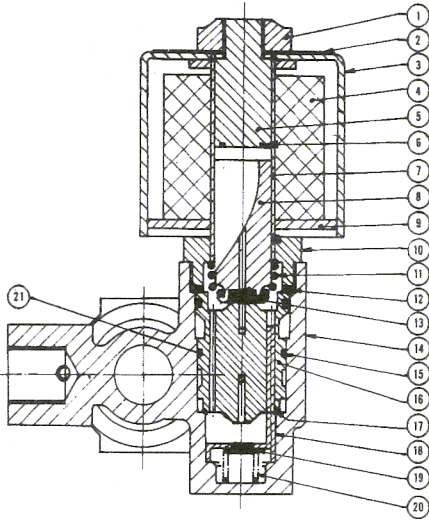
◀FLOCON▶ Valves are made from quality materials and are rigorously tested for leakage and performance. Each valve is subjected to twice the rated voltage plus 1,000 volts at 50 c/s for 60 seconds for insulation test.

VALVE SERIES	Pipe Size (inch)	Orifice size (inch)		Operating Pressure Differential (KG/CM ²)			Max. AC Fluid Temp. °C	Safe Body Working Pressure in Kg/cm ² .	CV Flow Factor		Watt Rating		Class of Coil insulation	VA - INRUSH	VA - HOLDING
		Pressure	Exhaust	Maximum					Pressure	Exhaust	AC	DC			
				Minimum	Light Hydraulic Oil, Water, Air, Gas	AC									
NORMALLY CLOSED OPERATION				PRESS CYL					PRESS ENERGI ZED EXH		CYL				
FPQ 302	1/4	9/32	11/32	0.3	15	15	85	40	0.8	1.2	12.5	13	B&F	60	24
FPQ 303	3/8	9/32	11/32	0.3	15	15	85	40	0.8	1.2	12.5	13	B&F	60	24
NORMALLY OPEN OPERATION				PRESS DE-ENERGI ZED EXH					PRESS ENERGI ZED EXH		CYL				
FPQ 302	1/4	9/32	11/32	0.3	15	15	85	40	0.8	1.2	12.5	13	B&F	60	24
FPQ 303	3/8	9/32	11/32	0.3	15	15	85	40	0.8	1.2	12.5	13	B&F	60	24

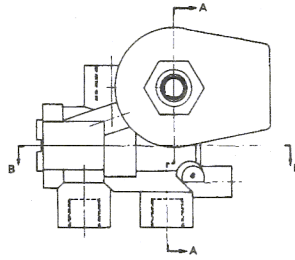


PRECISION INSTRUMENT

GO. 124- A-Z INDUSTRIAL ESTATE, G. K. MARG, MUMBAI - 400 013 TEL. : 2492 6384 / 2492 4333 FAX : 2497 4299
 E-mail : flocon@bom3.vsnl.net.in Website : www.floconvalves.com



SECTION - AA



SECTION - BB

SR. NO.	NAME OF THE PART	PART NO.	MATERIAL	QTY.
1.	TOP NUT	FPQ 3001	BRASS	1
2.	NAME PLATE	FPQ 3002	ALUMINIUM	1
3.	COIL HOUSING	FPQ 3003	C.R.C.A.	1
4.	COIL	FPQ 3004	E. COPPER WIRE	1
5.	STOPPER	FPQ 3005	SS 410	1
6.	SHADING RING	FPQ 3006	COPPER	1
7.	TUBE	FPQ 3007	SS 304	1
8.	PLUNGER	FPQ 3008	SS 410	1
9.	BASE PLATE	FPQ 3009	C.R.C.A.	1
10.	TUBE NUT	FPQ 3010	BRASS	1
11.	SPRING	FPQ 3011	SS 304	1
12.	GASKET	FPQ 3012	TEFLON	1
13.	PLUNGER SEAT	FPQ 3013	NEOPRENE	1
14.	BODY	FPQ 3014	FORGED BNRASS	1
15.	'O' RING	FPQ 3015	NEOPRENE	1
16.	INSERT	FPQ 3016	DELTRIN	1
17.	'O' RING	FPQ 3017	NEOPRENE	1
18.	TRIPOD	FPQ 3018	DELTRIN	1
19.	SEAT	FPQ 3019	NEOPRENE	1
20.	SPRING	FPQ 3020	SS 304	1
21.	'O' RING	FPQ 3021	NEOPRENE	1
22.	END PLUG	FPQ 3022	BRASS	1
23.	'O' RING	FPQ 3023	NEOPRENE	1
24.	PISTON	FPQ 3024	SS 304	1
25.	'O' RING	FPQ 3025	NEOPRENE	1
26.	BUSH	FPQ 3026	BRASS	1
27.	'O' RING	FPQ 3027	NEOPRENE	1
28.	'U' CUP SEAL	FPQ 3028	NEOPRENE	1

NOTE :

In line with their policy of continuous product development, the manufacturer reserves the right to change specifications without notice.



ENGINEERS INDIA LIMITED

IS 2148



AGENCY APPROVALS FOR **FLOCON** SOLENOID VALVES PRECISION INSTRUMENT CO. - MUM-13

ENGINEERS INDIA LIMITED	NEW DELHI	EIL	SOLENOID VALVES
ELECTRONICS REGIONAL TEST LABORATORY	MUMBAI	ERTL	DAMP HEAT TEST REPORT
ELECTRONICS REGIONAL TEST LABORATORY	MUMBAI	ERTL	VIBRATION TEST REPORT
INSTITUTE FOR DESIGN OF ELECTRICAL MEASURING INSTRUMENTS	MUMBAI	IDEMI	IP-65 TEST REPORT
INSTITUTE FOR DESIGN OF ELECTRICAL MEASURING INSTRUMENTS	MUMBAI	IDEMI	IP-65/67 TEST REPORT
CENTRAL MINING RESEARCH INSTITUTE	DHANBAD	CMRI	FLAME PROOF SOLENOID VALVE ENCLOSURE
CHIEF CONTROLLER OF EXPLOSIVES	NAGPUR	CCE	FLAMEPROOF SOLENOID VALVE ENCLOSURE
BUREAU OF INDIAN STANDARDS	MUMBAI	BIS	FLAMEPROOF SOLENOID VALVE ENCLOSURE
DIRECTORS GENERAL FACTORY			
ADVICE SERVICE & LABOUR INSTITUTE	MUMBAI	DGFASLI	FLAMEPROOF SOLENOID VALVE ENCLOSURE
GENELEC LIMITED	MUMBAI	GENELEC	IP-55

MANUFACTURERS :

PRECISION INSTRUMENT CO.

WORKS :

124, A-Z INDUSTRIAL ESTATE,
G. K. MARG, LOWER PAREL, MUMBAI - 400 013.
PHONE : 2492 6384, 2492 4333
FAX : 022-2497 4299.



Where the Quality goes in before the Name comes on.