

High Flow 3 - Way Solenoid Valves

Normally Open and Closed Operation

3/8", 1/2", 3/4" BSP/NPT



FLOCON Three Way Internal Piloted diaphragm type Valves have gun metal valve bodies and soft seating for tight shut off. These valves have four main operating parts S.S. core, two diaphragms, insert and disc holder.

IMPORTANT :

10 PSI minimum operating pressure differential required. Valve vent to 0 PSI.

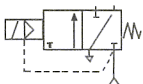
APPLICATION :

These valves are used in variety of applications such as pilots, compressor unloaders, cylinders and turbines.

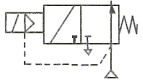
SPECIFICATIONS :

OPERATION :

A) Normally Closed : Valve opens when Solenoid is energised & closes when Solenoid is de-energised.



B) Normally Open: Valve opens when Solenoid is de-energised & closes when Solenoid is energised.



Please refer to flow diagram for direction of flow.

Valves parts in contact with fluid:

- Body-cast Bronze.
- Seat & Disc-Neoprene/Nitrile.
- Diaphragm-Neoprene with brass and S. Steel trim.
- Core & Plunger-410 S.S.
- Shading Coil-Copper.
- Pilot Seat and Disc holder-Acetal.

SOLENOID ENCLOSURE :

- 1) General purpose enclosure NEMA type 1/IP 20.
- 2) Watertight and dust proof NEMA type 2a, 3 R IP55, IP56, IP67.
- 3) Flameproof up to I, IIA & IIB-IS 2148.
- 4) Continuous duty moulded coil CLASS 'F' & 'H'.
- 5) Maximum temperature 80°C.
- 6) Electrical Voltage : 24, 48, 120, 240, 440 C/S AC.
12, 24, 48, 120, 240, DC.
- 7) All Solenoid parts in contact with fluids are made of 300 & 400 series stainless steel.

INSTALLATION :

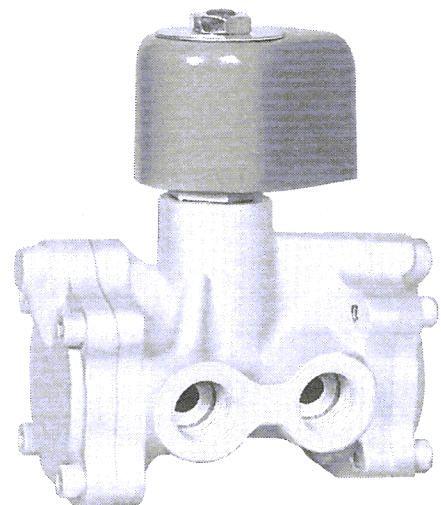
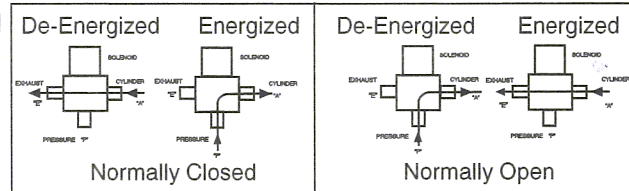
Valves may be mounted in any position.

FEATURES :

- 1) Packless.
- 2) Gun metal tight shut off.
- 3) Complete tight shut off.
- 4) Silent in operation.
- 5) Continuous duty moulded coils F/H insulation.
- 6) Solenoid capable of being turned 360°

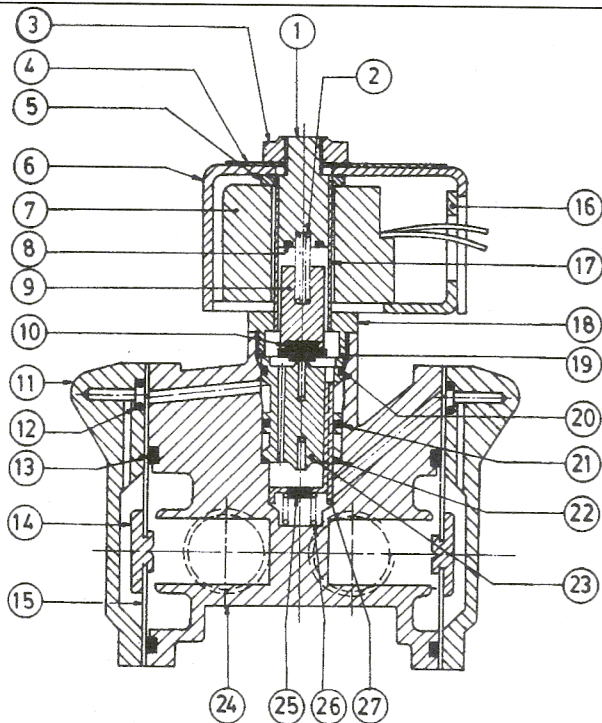
IMPORTANT: Minimum operating pressure differential must be maintained between the pressure and exhaust port, supply and piping must be full area, unrestricted.

FLOCON Valves are made from quality materials and tested for leakage and performance. Each valve is tested as per IS 8935.



**PRECISION
INSTRUMENT
CO.**

124- A-Z INDUSTRIAL ESTATE, G. K. MARG, MUMBAI - 400 013. TEL. : 2492 6384 / 2492 4333 FAX : 2497 4299
E-mail : flocon@bom3.vsnl.net.in Website : www.floconvalves.com



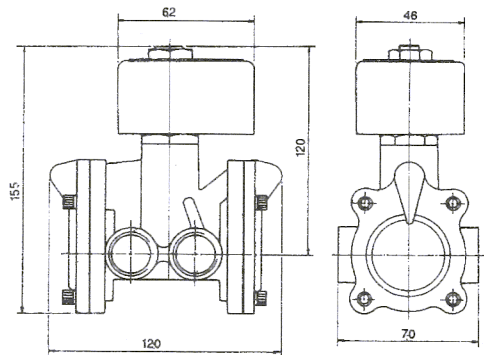
SR. NO.	NAME OF PART	PART NO.	MATERIAL	QTY.
1	STOPPER	FSD 3001	S.S. 410	1
2	PLUNGER SPRING	FSD 3002	STAINLESS STEEL	1
3	TOP NUT	FSD 3003	BRASS	1
4	NAME PLATE	FSD 3004	ALUMINIUM	1
5	WASHER	FSD 3005	C. R. C. A.	1
6	COIL HOUSING	FSD 3006	C. R. C. A.	1
7	COIL	FSD 3007	ENAMELLED COPPER WIRE	1
8	SHADING COIL	FSD 3008	COPPER	1
9	PLUNGER	FSD 3009	S.S 410	1
10	PLUNGER SEAT	FSD 3010	NEOPRENE	1
11	COVER	FSD 3011	BRONZE	2
12	O' RING	FSD 3012	NEOPRENE	2
13	O' RING	FSD 3013	NEOPRENE	1
14	DIAPHRAGM PLATE	FSD 3014	S. S. 304	2
15	DIAPHRAGM	FSD 3015	NEOPRENE	2
16	L' BRACKET	FSD 3016	C. R. C. A.	1
17	TUBE	FSD 3017	S. S. 304	1
18	TUBE NUT	FSD 3018	BRASS	1
19	GASKET	FSD 3019	TEFLON	1
20	O' RING	FSD 3020	NEOPRENE	1
21	O' RING	FSD 3021	NEOPRENE	1
22	O' RING	FSD 3022	NEOPRENE	1
23	INSERT	FSD 3023	DELRIN	1
24	BODY	FSD 3024	BRONZE	1
25	SEAT	FSD 3025	NEOPRENE	1
26	SPRING	FSD 3026	S. S. 304	1
27	TRIPOD SEAT	FSD 3027	NEOPRENE	1

ORDERING INFORMATION :

We must have Type, Pipe size
Operating Pressure, Operating
Voltage and Media handled.

IMPORTANT :

Use Strainers with the valves. Use
the valves only at pressure and
voltage specified on the name plate.



NOTE :

*In line with their policy of continous product
development, the manufacturer reserves the
right to change specifications without notice.*

AGENCY APPROVALS FOR FLOCON® SOLENOID VALVES PRECISION INSTRUMENT CO., MUM-43.		
ENGINEERS INDIA LIMITED	NEW DELHI	EIL SOLENOID VALVES
ELECTRONICS REGIONAL TEST LABORATORY	MUMBAI	ERTL DAMP HEAT TEST REPORT
ELECTRONICS REGIONAL TEST LABORATORY	MUMBAI	ERTL VIBRATION TEST REPORT
INSTITUTE FOR DESIGN OF ELECTRICAL MEASURING INSTRUMENTS	MUMBAI	IDEMI IP-65 TEST REPORT
INSTITUTE FOR DESIGN OF ELECTRICAL MEASURING INSTRUMENTS	MUMBAI	IDEMI IP-65/67 TEST REPORT
CENTRAL MINING RESEARCH INSTITUTE	DHANBAD	CMRI FLAME PROOF SOLENOID VALVE ENCLOSURE
CHIEF CONTROLLER OF EXPLOSIVES	NAGPUR	CCE FLAMEPROOF SOLENOID VALVE ENCLOSURE
BUREAU OF INDIAN STANDARDS	MUMBAI	BIS FLAMEPROOF SOLENOID VALVE ENCLOSURE
DIRECTORS GENERAL FACTORY		
ADVICE SERVICE & LABOUR INSTITUTE	MUMBAI	DGFASLI FLAMEPROOF SOLENOID VALVE ENCLOSURE
GENELEC LIMITED	MUMBAI	GENELEC IP-55

MANUFACTURERS :

**PRECISION
INSTRUMENT
CO.**

WORKS :

124, A-Z INDUSTRIAL ESTATE,
G. K. MARG, LOWER PAREL, MUMBAI - 400 013.
PHONE : 2492 6384, 2492 4333
FAX : 022-24974299.



Where the Quality goes in before the Name comes on.